

RUTHMANN HIGHquality

RUTHMANNSTEIGER® T 450 - great mobility on the job, easy to handle on the road

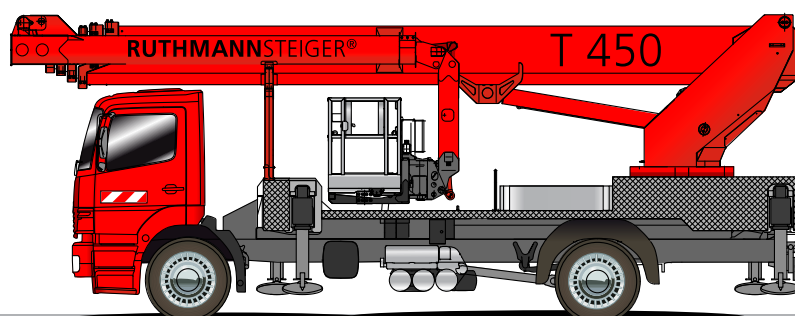
If you are looking for an aerial platform which offers outstanding mobility even at great heights, maximum performance data and an easy-to-handle carrier chassis, the **RUTHMANNSTEIGER® T 450** is exactly the right choice for you because it was especially designed for these requirements.

Equipped with a triply movable telescopic boom system, it offers maximum performance data on an 18 t two-axle chassis with a 45 m working height and 30 m outreach.

The advantages of a two-axle chassis compared to a carrier chassis with 3 axles for you as an access platform rental company, power supply company, erector of industrial plants or landscaper horticulturalist are obvious. They range from its lower purchase and maintenance costs to the greater agility of the access platform unit to lesser damage to unpaved underground.

Regardless whether you have to trim trees, work behind pipes or under bridges, the **STEIGER® T 450** brings you quickly and safely to your desired working site thanks to its triply movable boom system (4-fold lower boom telescopic boom, telescoping upper boom and movable **RÜSSEL®** (jib)).

The working cage contains the ergonomic control panel with a large graphical display which was adapted to the many different movement possibilities of the **STEIGER®**. Information and diagnosis values as well as diverse reach curves – depending on the kind of jacking - are displayed here.



RUTHMANNSTEIGER® T 450

The hydraulically telescoping aluminium working cage is also extremely movable. It can be extended to a width of 3.60 m if necessary. It has a considerable swivelling angle of 2 x 90°. To be optimally prepared for all jobs, the carrying capacity of the cage, which can be entered and loaded from the ground, is 500 kg.

Its extreme movability makes our STEIGER® a real all-rounder. This movability is achieved with:

- 80° angle of elevation of the main boom
- 180° swivelling angle of the upper boom
- 180° swivelling angle of the RÜSSEL®
- 500° range of rotation
- 2 x 90° cage rotation angle
- 19,20 m tele. extension of lower boom
- 3,70 m tele. extension of upper boom

With the aid of the standard automatic positioning system you can bring this machine into the start position in no time. The standard automatic return to basic position ensures equally fast completion of your work.

The fully variable horizontal-vertical jacking guarantees safe and flexible jacking at all working sites. The four jacks can be controlled individually and from the control panel in the working cage as well as from both sides of the chassis. The fast extension and retraction of the jacks on site is a really great advantage because it is very time-saving. The **RUTHMANN** control automatically assigns the optimum working range out of 45 working range variants to each selected jacking position.

Even jobs at extreme slopes can be performed easily with the T 450 due to the enormous jack lift and the permissible inclination of 1°.

The total length of the unit is only 9.90 m and even the wheelbase of 5.10 m is extremely short.

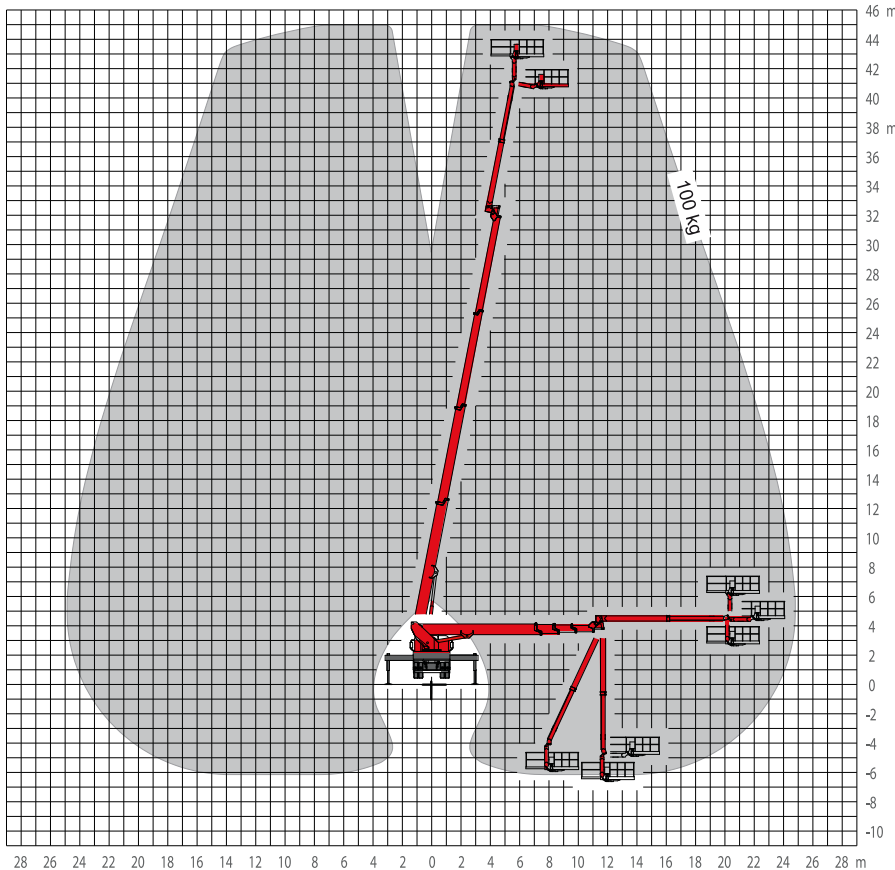
Please contact us – by phone, fax or e-mail. We would be pleased to give you more information on our proven STEIGER® and show you the advantages of our product!

RUTHMANNSTEIGER® T 450

Working height:	45,00 m
Lifting height:	43,00 m
Outreach:	30,00 m*
Range of rotation:	500°
Swivelling angle of the RÜSSEL® (jib):	180°
Swivelling angle of upper boom:	180°
Working cage size: (hydraulic extended)	2,30 x 0,90 m 3,60 x 0,90 m
Working cage load:	500 kg
Telescopic extension of lower boom:	19,10 m
Telescopic extension of upper boom:	3,70 m
Total height:	3,80 m
Total length:	9,90 m
Permissible inclination:	1°
Permissible total weight:	from 18.000 kg

* depending on load, angle of rotation and outfit

Working cage load 500 kg



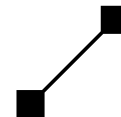
All measurements in meters. All weights and dimensions are approximate and refer to the standard basic outfit. Technical alterations reserved. Steiger®, Gelenksteiger®, Rüssel® and Flexiloader® are registered trademarks of Anton Ruthmann GmbH & Co. KG.



Anton Ruthmann GmbH & Co. KG
P.O.Box 12 63
D-48705 Gescher-Hochmoor
GERMANY

Fon: +49 (0) 28 63/2 04-0
Fax: +49 (0) 28 63/2 04-2 12

Internet: www.ruthmann.de
E-mail: export@ruthmann.de



RUTHMANN
HIGHquality